

***HIKVISION***<sup>®</sup>

**REAL SECURITY,  
REALLY CONVENIENT**

SECOND GENERATION  
IP VIDEO INTERCOM SYSTEM

# WITH HIKVISION AS YOUR PARTNER, YOU WILL STAND ON A SOLID FOUNDATION.

---

Hikvision is a world leading provider of security products and solutions. Featuring an extensive and highly skilled R&D workforce, Hikvision manufactures a full suite of comprehensive products and solutions for a broad range of vertical markets. In addition to the security industry, Hikvision extends its reach to smart home tech, industrial automation, and automotive electronics industries to achieve its long-term vision. Hikvision products also provide powerful business intelligence for end users, which can enable more efficient operations and greater commercial success. The outstanding capabilities and performance of Hikvision in the security and video surveillance industries have been recognized by leading analyst firms and global awards.

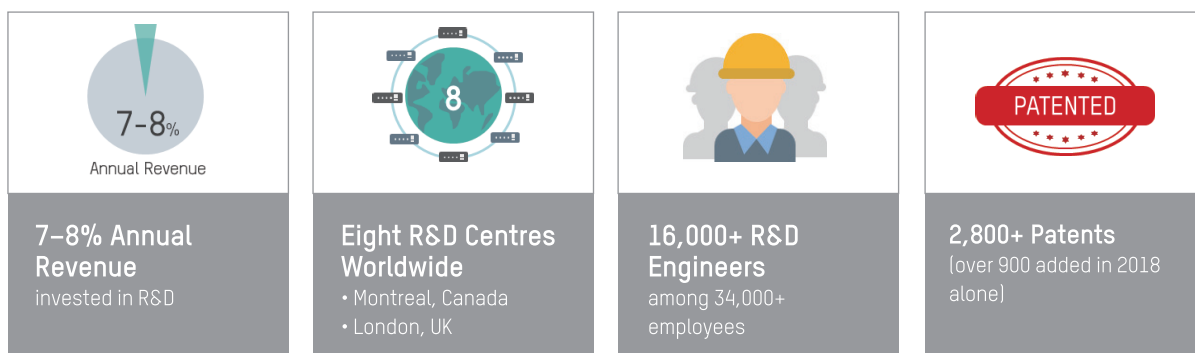


---

From the early digital age to today's intelligence era, we have seized every opportunity to advance the industry with our innovative technologies.

Hikvision's core technologies include: visual perception, cloud storage, big data, cross-media perception and reasoning, video codec, streaming media networking and management, audio and video data storage, embedded systems development.

As the pioneer in AI technology, Hikvision established an algorithm team for AI technology research in 2006. During this decade, Hikvision first launched deep learning-based servers then expand to a comprehensive range of AI products in 2016. Based on the continually researches and practices, Hikvision developed the AI Cloud structure and ranked No.1 in various Global Artificial Intelligence contests.



# HIGHLIGHTS

OF THE IP VIDEO INTERCOM SYSTEM

---

## EXCELLENT IMAGE QUALITY

- 2 MP Fisheye camera with WDR and excellent night vision

## EASY TO USE

- Convenient control via mobile app
- Gate access control and elevator control for apartments
- Driveway access control and door control for villas
- Abundant functions for any scenario: PIN / duress password / message / do not disturb mode / multiple ringtone options / and more

## FLEXIBLE COMBINATIONS

- Readily expandable with various modules
- Various installation frames to better fit in with any environment

## ELEGANT & USEFUL DESIGNS

- Elegant designs
- Reddot award winning indoor station

## CCTV INTEGRATION

- Management from the all-in-one client
- Video recording to DVR / NVR
- View IP camera feed from indoor stations





# MODULAR DOOR STATION

Hikvision's modular intercom products excel at convenient installation and flexible expansion capabilities. The complete package features a main module with several extension modules ranging from the traditional nametag and keypad module to card readers and indicator modules, providing an abundance of functionality to customers.



Modular Outdoor Station  
(Customizable)



Main Module



Indicator Module



Display Module



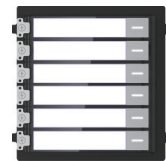
Blank Module



Card Reader Module



Keypad Module



Nametag Module



Standard PoE



2 MP Camera with 180° Wide  
Angle and WDR



Driveway and Door Access  
Control



Supports  
11 Languages



Backlight function



Bigger Nametag



Sleek Designs



Extensive Modularity

# INDOOR STATION

These three indoor stations received great comments for their clean and simple designs and for an excellent interactive experience. The 7-inch Ultra Series Indoor Station won the Reddot Award in 2017. Its newly designed interface, along with daily functions such as remote unlocking, IP camera preview, intercom among indoor stations, and call logs, promise convenient performance all around. Standard PoE, wall-mounted installation, and wireless connectivity make installation and configuration quick and easy.



Pro Series Indoor Station  
7-inch



Ultra Series Indoor Station  
7-inch



Ultra Series Indoor Station  
10-inch



Supports Wi-Fi Connection  
(Select models only)



Standard PoE



Link with Alarm Sensors



32 GB SD Card



User-friendly Interface



Touch Screen  
with 1024 \* 600 Resolution

# APARTMENT SOLUTION

The apartment solution supports up to an amazing 500 indoor stations, with communication available among all of them. Multiple door stations can be installed for one building and residents can unlock them using card or password. Integration with an elevator control system makes the entire system even more secure. Hikvision's IP Video Intercom Apartment Solution is a top choice for intercom and security system in buildings.

## System Capacity (Without Master Station)

9 Door Stations + 500 Indoor Stations

*\*Capacity expansion available with Master Station*



### Apartment Ultra Series Indoor Station (7-inch)

- IPS Touch screen
- Award-winning design
- Live view for IP camera
- Automatic image capture for missed call
- Standard PoE



### Apartment Pro Series Indoor Station (7-inch)

- Touch screen
- Live view for IP camera
- Automatic image capture for missed call
- Standard PoE



### Side Entrance Main Module + Card Reader + Keypad

- Fisheye camera
- Night vision
- Unlock door by password or card
- Record video to CCTV system
- One touch call Mobile App and indoor stations



### Main Entrance Main Module + Nametag

- Fisheye camera
- Night vision
- Record video to CCTV system
- One touch call Mobile App and indoor stations



### Elevator Master Elevator Controller

Control up to 128 floors



### Main Entrance Network Camera



# VILLA SOLUTION

The villa solution provides thoughtful, useful functions for every member of the home. Users can call multiple indoor stations at the same time and unlock a door at any of the indoor stations. They can also receive all call information and unlock doors remotely and conveniently using the app on a mobile device.

The fisheye camera on the door station renders images clearly both day and night. With the record-to-NVR function, users can check on what's happening at their doorstep. To make this system even better, integrate it with Hikvision's CCTV system, allowing indoor stations to display any IP camera installed around your house. Security and convenience come together in this IP Video Intercom Villa Solution.

## System Capacity

9 Villa Door Stations + 1 Indoor Station + 5 Indoor Extensions



### Living Room

#### Ultra Series Indoor Station (10-inch)

- Touch screen
- Live view for IP camera
- Automatic image capture for missed call
- Standard PoE



### Apartment

#### Ultra Series Indoor Station (7-inch)

- IPS Touch screen
- Award-winning design
- Live view for IP camera
- Automatic image capture for missed call
- Standard PoE



Perimeter  
Network Camera



### Door

#### Main Module or Main Module + Card Reader

- Fisheye camera
- Night vision
- Unlock door by card
- Record video to CCTV system
- One touch call Mobile App and indoor stations

# PRODUCT SHOWCASE



**DS-KD8003-IME1**

**Main Unit**  
2 MP Fisheye camera  
IR Supplement  
IP65  
12V DC or standard PoE



**DS-KD-KK**

**Nametag Module**  
with 6 Call Buttons  
IP65  
Backlight function



**DS-KD-IN**

**Indicator Module**  
IP65  
Backlight function



**DS-KD-BK**

**Blank Module**  
IP65



**DS-KD-KP**

**Keypad Module**  
IP65  
Backlight function  
Blind spot design



**DS-KD-M**

**MIFARE 1 Card Reader Module**  
13.56 MHz  
IP65  
Backlight function



**DS-KD-E**

**EM Card Reader Module**  
125 KHz  
IP65  
Backlight function



**DS-KD-DIS**

**Display Module**  
3.5-inch LCD  
IP65  
Backlight function



**DS-KD-ACW1**

**Single Module Accessories**  
Used for surface mounting  
Aviation aluminum



**DS-KD-ACW2**

**Dual Modules Accessories**  
Used for surface mounting  
Aviation aluminum



**DS-KD-ACW3**

**Three Modules Accessories**  
Used for surface mounting  
Aviation aluminum



**DS-KD-ACF1**

**Single Module Accessories**  
Used for flush mounting  
Aviation aluminum



**DS-KD-ACF2**

**Dual Modules Accessories**  
Used for flush mounting  
Aviation aluminum



**DS-KD-ACF3**

**Three Modules Accessories**  
Used for flush mounting  
Aviation aluminum



**DS-KD8003-IME1/Flush**

DS-KD8003-IME1 with its flush mounting accessories



**DS-KD8003-IME1/Surface**

DS-KD8003-IME1 with its surface mounting accessories



reddot award 2017 winner



**DS-KH8350-TE1**

**Ultra Series Indoor Station**

- 7-inch Colorful TFT LCD
- Display resolution: 1024 \* 600
- 10 / 100Mbps Ethernet
- Standard PoE(IEEE802.3af) / 12V DC
- TF card, max 32G
- 8-ch alarm input



reddot award 2017 winner



**DS-KH8350-WTE1**

**Ultra Series Indoor Station**

- 7-inch Colorful TFT LCD
- Display resolution: 1024 \* 600
- 10 / 100Mbps Ethernet, Wi-Fi 802.11b/g/n
- Standard PoE (IEEE802.3af) / 12V DC
- TF card, max 32G
- 8-ch alarm input, 2x alarm output, 1x485



**DS-KH6320-TE1**

**Pro Series Indoor Station**

- 7-inch Colorful TFT LCD
- Display resolution: 1024 \* 600
- 10 / 100Mbps Ethernet
- Standard PoE(IEEE802.3af) / 12V DC
- TF card, max 32G
- 8-ch alarm input



**DS-KH6320-WTE1**

**Pro Series Indoor Station**

- 7-inch Colorful TFT LCD
- Display resolution: 1024 \* 600
- 10 / 100Mbps Ethernet, Wi-Fi 802.11b/g/n
- Standard PoE (IEEE802.3af) / 12V DC
- TF card, max 32G
- 8-ch alarm input, 2x alarm relay, 1x 485



**DS-KH8520-WTE1**

**Ultra Series Indoor Station**

- 10-inch Colorful TFT LCD
- Display resolution: 1024 \* 600
- 10 / 100Mbps Ethernet, Wi-Fi 802.11b/g/n
- Standard PoE (IEEE802.3af) / 12V DC
- TF card, max 32G
- 8-ch alarm input, 2x alarm relay, 1x 485

# TRANSMISSION DISTANCE

When Modular Door Station and Indoor Stations are powered by a standard alone power supply, the power line cable distance is:

Cable specification	18 AWG	20 AWG	24 AWG
DS-KH8350 series	50 m	30 m	15 m
DS-KH8520WTE1 series	50 m	30 m	15 m
DS-KH6320 series	50 m	30 m	15 m
1 main unit + 8 extension module	35 m	25 m	8 m

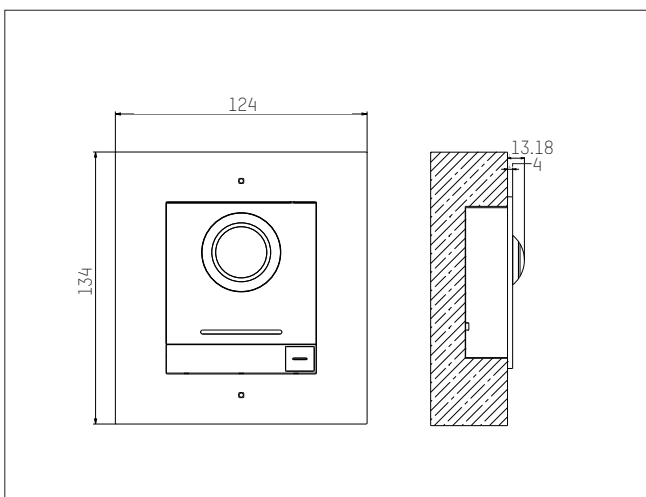
\*Note: The data transmission distance between Modular Door Station and switch, as well as between Indoor Stations, is 100 m. This result is for reference only, actual distance may vary.

When Modular Door Station and Indoor Station are powered by standard PoE switch, the transmission distance is:

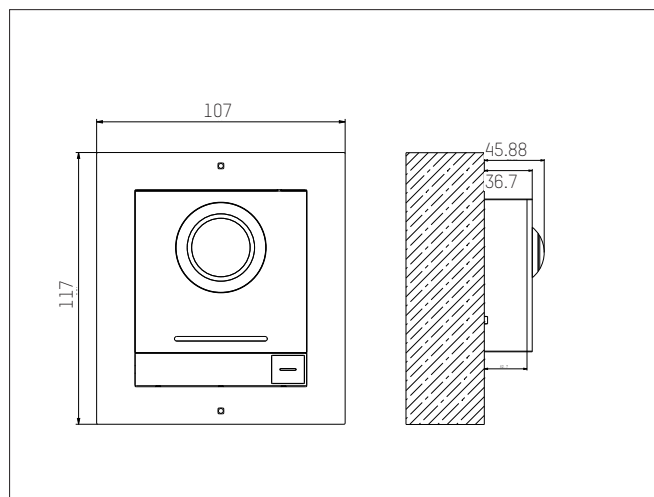
Cable	1LN5EU-G/CCA	1LN5E-S	1LN6-UU
DS-KH8350 series	100 m	100 m	100 m
DS-KH8520WTE1 series	100 m	100 m	100 m
DS-KH6320 series	100 m	100 m	100 m
1 main unit + 8 extension module	60 m	80 m	100 m

\*Note: The above data are obtained by tests using Hikvision Cable and under the situation of one Door Station and one Indoor Station. This result is for reference only, actual distance may vary.

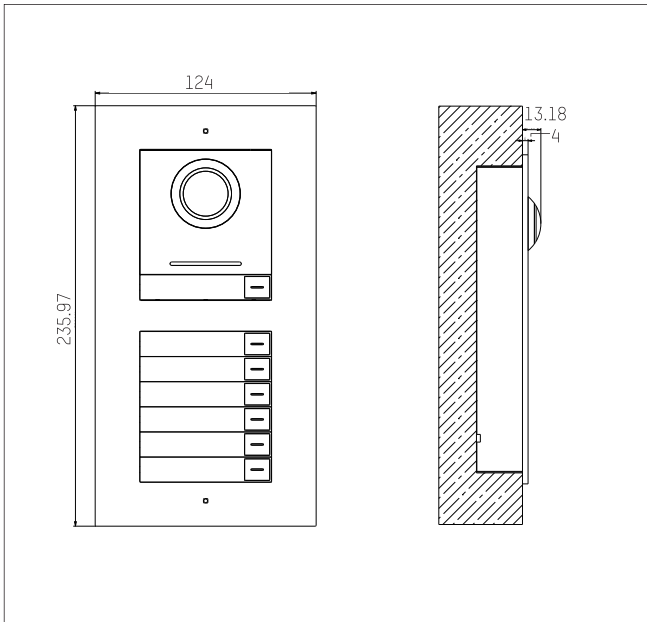
# DIMENSIONAL REFERENCE FOR INSTALLATION



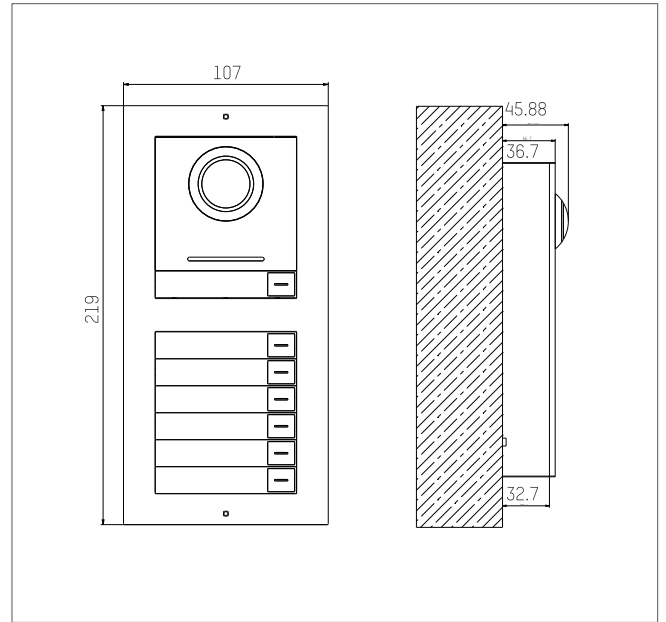
Single Module Flush Mounting



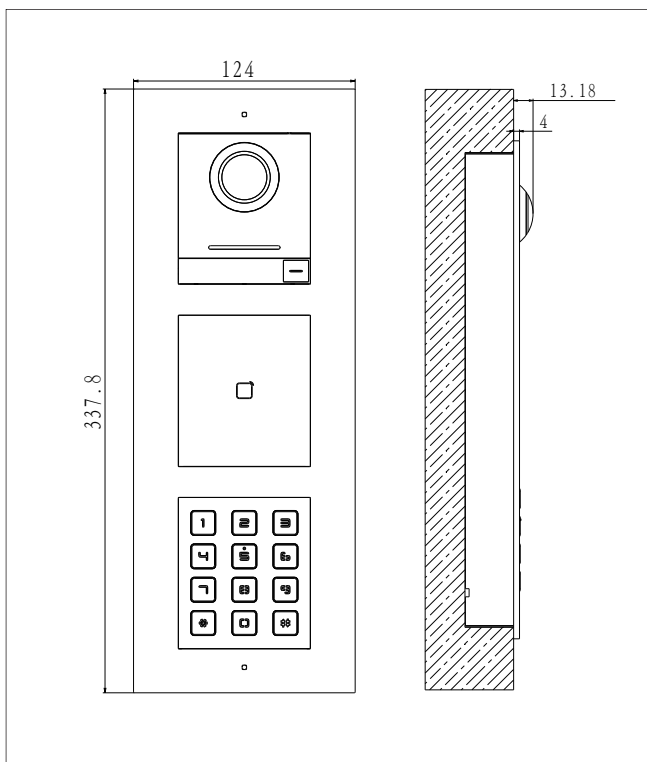
Single Module Surface Mounting



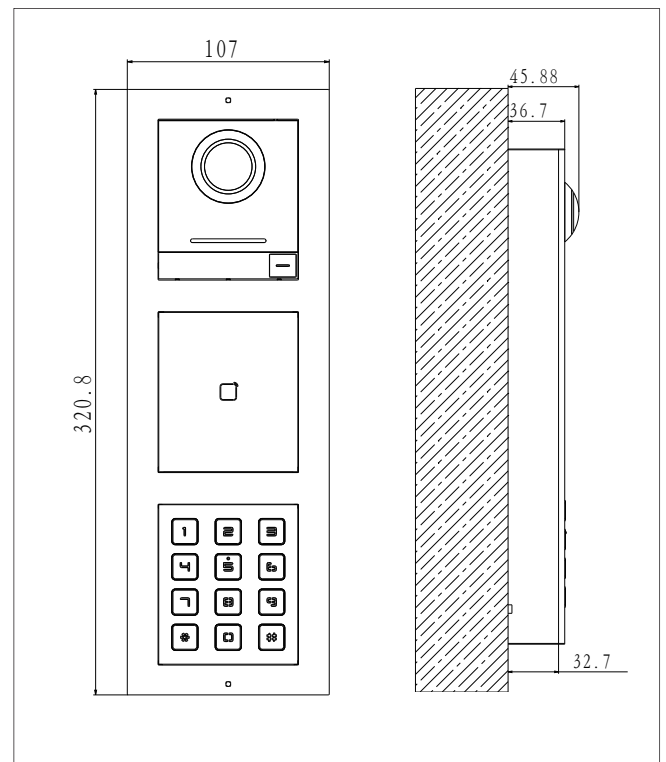
Dual Modules Flush Mounting



Dual Modules Surface Mounting



Three Modules Flush Mounting



Three Modules Surface Mounting



REAL SECURITY, REALLY CONVENIENT  
SECOND GENERATION  
IP VIDEO INTERCOM SYSTEM

Distributed by



**HIKVISION**

**Headquarters**

No.555 Qianmo Road, Binjiang District,  
Hangzhou 310051, China  
T +86-571-8807-5998  
overseasbusiness@hikvision.com

**Hikvision USA**  
T +1-909-895-0400  
sales.usa@hikvision.com

**Hikvision Australia**  
T +61-2-8599-4233  
salesau@hikvision.com

**Hikvision India**  
T +91-22-28469900  
sales@pramahikvision.com

**Hikvision Canada**  
T +1-866-200-6690  
sales.canada@hikvision.com

**Hikvision Thailand**  
T +662-275-9949  
sales.thailand@hikvision.com

**Hikvision Germany**  
T +49-69-401507290  
sales.adch@hikvision.com

**Hikvision Europe**  
T +31-23-5542770  
sales.eu@hikvision.com

**Hikvision Italy**  
T +39-0438-6902  
info.it@hikvision.com

**Hikvision Brazil**  
T +55 11 3318-0050  
Lafam.support@hikvision.com

**Hikvision Turkey**  
T +90 (216)521 7070- 7074  
sales.tr@hikvision.com

**Hikvision Malaysia**  
T +6-032-7224000  
sales.my@hikvision.com

**Hikvision Philippines**  
sales.ph@hikvision.com

**Hikvision UK & Ireland**  
T +01628-902140  
sales.uk@hikvision.com

**Hikvision South Africa**  
Tel: +27 (10) 0351172  
sale.africa@hikvision.com

**Hikvision France**  
T +33(0)1-85-330-450  
info.fr@hikvision.com

**Hikvision Kazakhstan**  
T +7-727-9730667  
nikia.panfilov@hikvision.ru

**Hikvision Vietnam**  
T +84-974270888  
sales.vt@hikvision.com

**Hikvision UAE**  
T +971-4-4432090  
salesme@hikvision.com

**Hikvision Singapore**  
T +65-6684-4718  
sg@hikvision.com

**Hikvision Spain**  
T +34-91-737-16-55  
info.es@hikvision.com

**Hikvision Tashkent**  
T +99-87-1238-9438  
uzb@hikvision.ru

**Hikvision Hong Kong**  
T +852-2151-1761  
info.hk@hikvision.com

**Hikvision Russia**  
T +7-495-689-67-99  
saleru@hikvision.com

**Hikvision Korea**  
T +82-(0)31-731-8817  
sales.korea@hikvision.com

**Hikvision Poland**  
T +48-22-460-01-50  
info.pl@hikvision.com

**Hikvision Indonesia**  
T +62-21-2933759  
Sales.Indonesia@hikvision.com

**Hikvision Colombia**  
sales.colombia@hikvision.com

www.hikvision.com

Follow us on social media to get the latest product and solution information:

